



DECORATIVE HEAT LAMPS

CHOICES

THROUGH CUSTOMERIZATION



Unique Needs, Exact Solutions.



EXPERIENCE FUNCTION & FASHION

IN A WHOLE NEW LIGHT



DECORATIVE HEAT LAMPS/ LUMINAIRES

Now you can have the two-fold benefits of foodwarming and attractive presentation with Hatco Decorative Heat Lamps. Versatile enough for any location, from pick-up station to buffet lines, the range of lights are available with a selection of personalizing choices – shade styles, colors, switch locations and mounting arrangements. Configurations for lighting (Luminaire) as well as foodwarming.



- Decorative Heat Lamps available in eight shade styles
- Eight different mounting arrangements
- Four power switch options:
 - Upper (on canopy)
 - Lower (at stem)
 - Remote
 - None

800.558.0607
www.hatcocorp.com



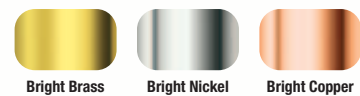
DESIGNER COLORS



GLOSS FINISHES



POLISHED FINISHES



There's no need to choose between aesthetics and function when it comes to equipping your location with Hatco Decorative Lamps. You'll find these trendy display lights are designed to serve you two different ways: To hold food warm in serving areas, or to stylishly complement your décor in lighting applications. One cost-effective product, two flexible functions. The choice is yours.



Now you can develop your own Hatco Decorative Heat Lamp solutions with our online lamp configurator. Just visit www.hatcocorp.com and click on "Decorative Heat Lamps" to get started.

Various cord lengths available, starting at 17" (432 mm) to desired length; Rigid Stem Mounts range from 17" to 71" (432-1803 mm).

Optional cord in black or white, or rigid stem.

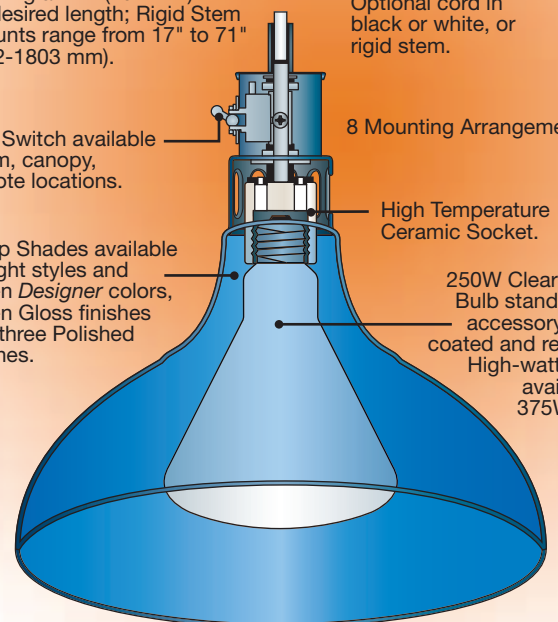
Toggle Switch available on stem, canopy, or remote locations.

8 Mounting Arrangements.

Lamp Shades available in eight styles and seven Designer colors, seven Gloss finishes and three Polished finishes.

High Temperature Ceramic Socket.

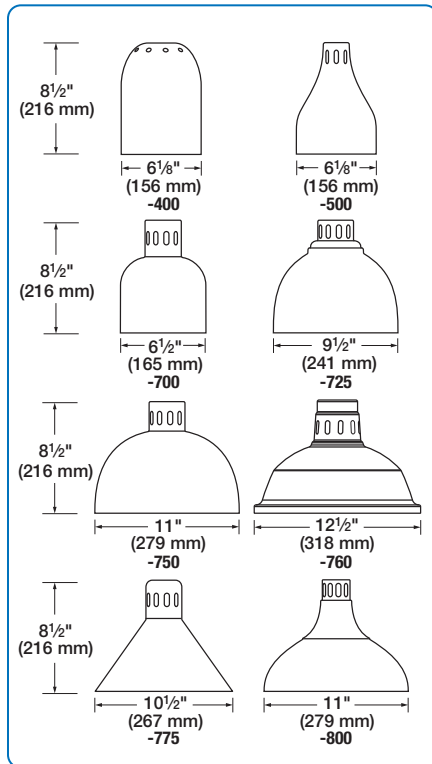
250W Clear Infrared Bulb standard, and accessory Teflon® coated and red bulbs. High-watt models available for 375W bulbs.



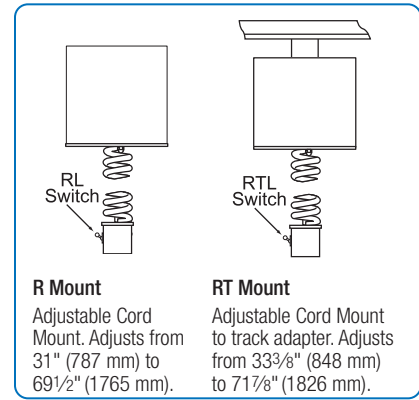
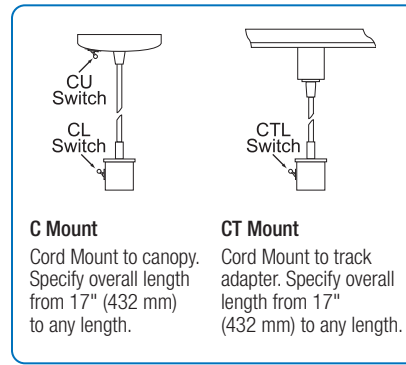
Unique Needs, Exact Solutions.



SHADE STYLES

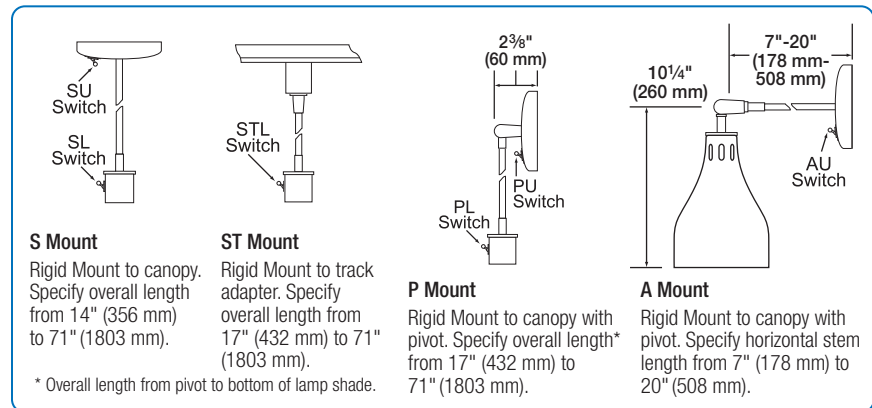


MOUNTING STYLES



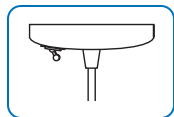
Cord Mounted

Adjustable Cord Mounted

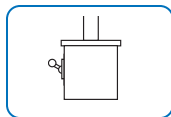


Rigid Stem Mounted (Knock down shipping on S and P units)

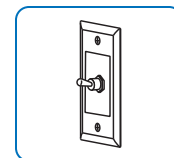
SWITCH LOCATIONS



Upper Switch



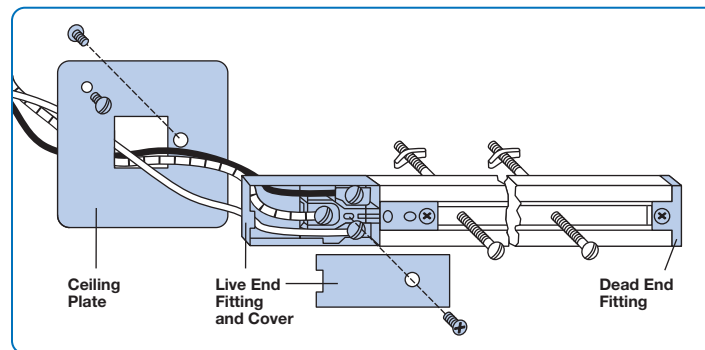
Lower Switch



Remote Switch
(Accommodates 10 amps)

- U – Upper ▼~
- L – Lower ▼■
- R – Remote ▼◆
- N – None (supplied by installer)

- ▼ Not available on high watt models.
- ~ Not available on track mounts or R mounting style.
- Not available on A mounting style.
- ◆ Up to four 250W lamps, or two 375W lamps maximum per remote switch.



Aishwarya Consolidates Pvt. Ltd.,

#19, Frist Floor, 10th 'B' Main, 27th Cross,
Third Block Jayanagar, BANGALORE – 560 011, INDIA
Tel: +91-80-2664 1200/1/2 Fax: +91-80-2664 1204

E-mail : aishtek@vsnl.com www.aishwaryaconsolidates.com

Cover photo compliments of CSC Worldwide.

